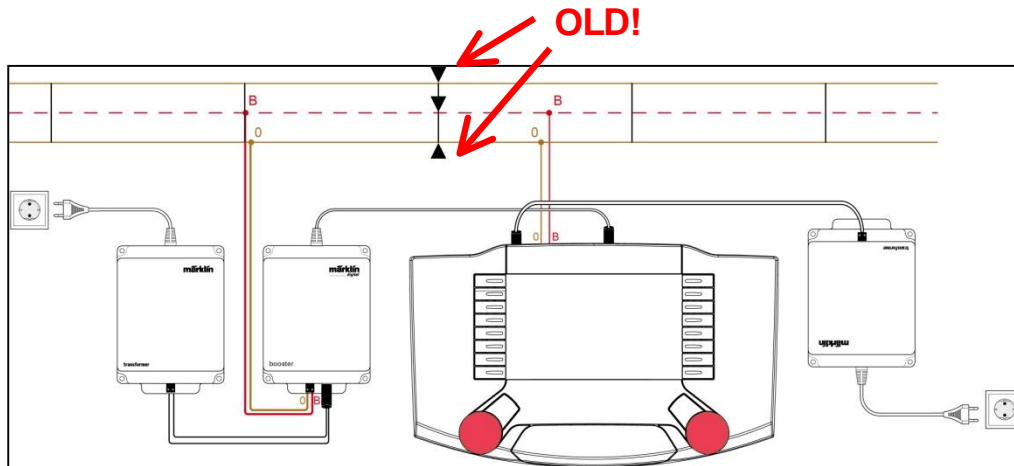


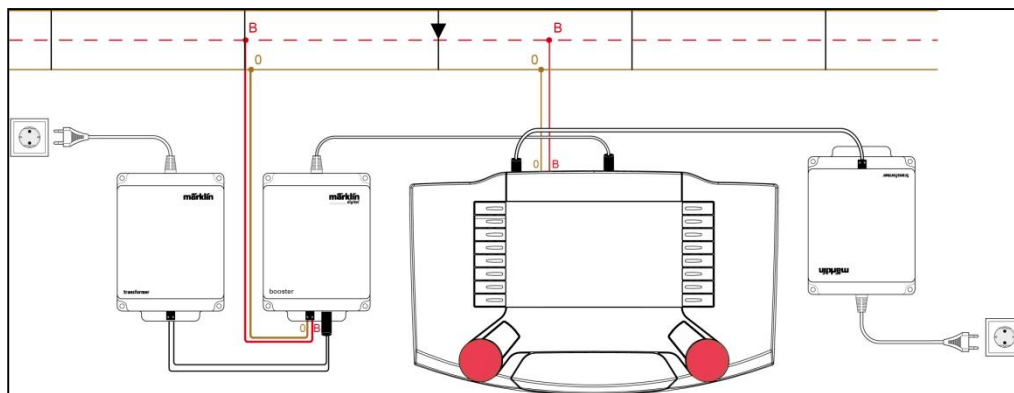
60173 Booster Exchange Offer

märklin

With the introduction of the 60174 booster it is now no longer necessary to isolate the ground rail between the booster circuits (see diagrams).



60173 connection diagram



60174 connection diagram

Benefit from the advantages of the 60174 booster and exchange your old 60173 booster free of charge.

Simply send your 60173 booster to the following address:

Gebr. Märklin & Cie. GmbH
Reparaturservice
Stichwort: Boostertausch
Stuttgarter Str. 55-57
73033 Göppingen
GERMANY

or take it to your authorized dealer.